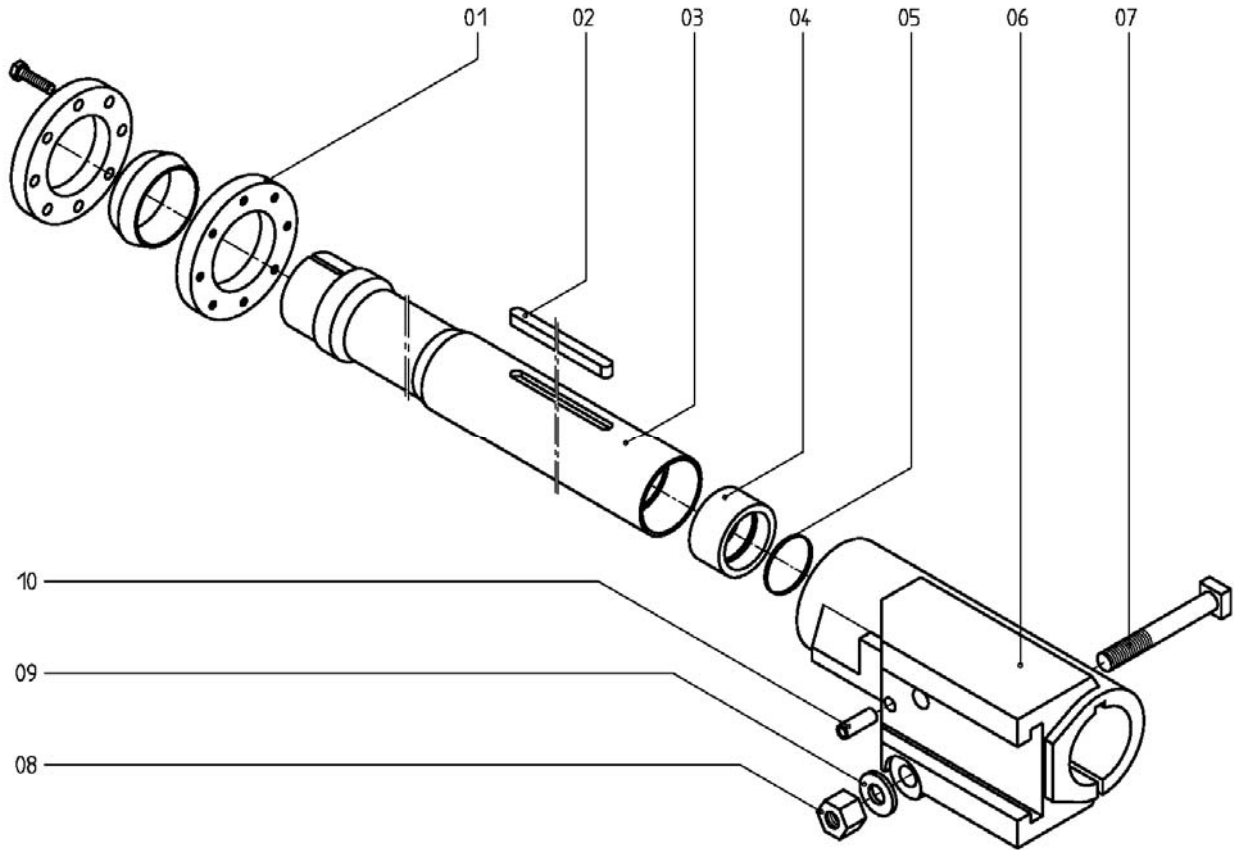


## Mounting Parts Q.C. Baffle

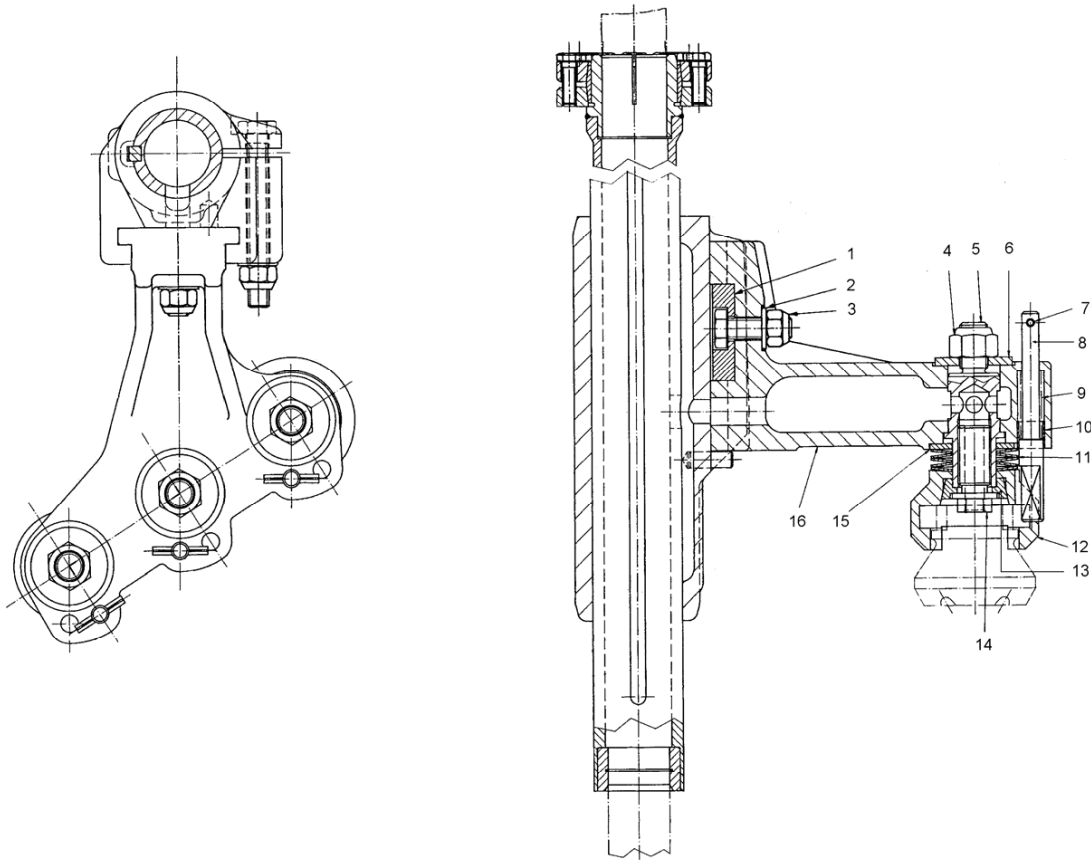
Description	IS-Part No.	H&B-Order No.
Mounting Parts Q.C. Baffle	200-252 Gr.8	7200-252-8



1	Dowel	2080-503	7080-503	10	
1	Washer		DIN-125-13	9	
1	Hex Nut	1180-1601	7180-1601	8	
2	Hex. Hd.Cp.Screw	1660-880	DIN-931-1/2 UNC x 3 1/4"	7	
1	Baffle Arm Holder	191-24427	0791-24427	6	
1	O-Ring, Viton	1700-803	7700-803	5	
1	Bushing	200-10099	7200-10099	4	
1	Sleeve	0200-263 Gr.2	7200-263-2	3	
1	Key	7847-317	9847-317	2	
1	Clamping Ring	191-9139 Gr.1	0791-9139-1	1	
<b>Qty.</b>	<b>Description</b>	<b>IS Part No.</b>	<b>H&amp;B Order No.</b>	<b>Index</b>	<b>Note</b>
		Datum	Name	Benennung :	
		Gez.		<b>Mounting Parts Q.C.Baffle</b>	
		Gep.		Zeichnungs- Nr.:	
		<b>Hartmann &amp; Bender Vertriebs – und Produktions - GmbH</b>		<b>7200-252-8</b>	
		<b>Hauptstraße 70 65396 Walluf am Rhein</b>			
Änderung	Datum	Name			

## Q.C. Baffle Arm TG 3"

<b>Description</b>	<b>IS-Part No.</b>	<b>H&amp;B-Order No.</b>
Q.C. Baffle Baffle Arm TG 3"	191-9135 Gr.11	0791-9135-11



	1	Baffle Arm Body	191-26446	0791-26446	16	
	3	Washer	191-26448	0791-26448	15	
	3	Screw	191-26453	0791-26453	14	
	3	Washer	191-26451	0791-26451	13	
	3	Lock Ring 62 mm	191-26449	0791-26449	12	
	15	Connical Spring Washer	59-94612	0759-94612	11	
	6	Bushing	59-20526	0759-20526	10	
	3	Compression Spring	191-24466	0791-24466	9	
	3	Position Pin	191-24436	0791-24436	8	
	3	Straight Pin		DIN-1481-5X30	7	
	3	Thrust Washer	3360-273	7360-273	6	
	3	Retainer Stud	191-26447	0791-26447	5	
	3	Hex Nut 5/8- 11 UNC	1180-1650	DIN-980-5/8UNC	4	
	1	Hex Nut 1/2 - 13 UNC	1180-1590	DIN-934-1/2NC	3	
	1	Flat Washer	3360-1203	7360-1203	2	
	1	Holding Plate	191-24435	0791-24435	1	
	<b>Qty.</b>	<b>Description</b>	<b>IS Part No.</b>	<b>H&amp;B Order No.</b>	<b>Index</b>	<b>Note</b>
				<b>Datum</b>	<b>Name</b>	<b>Benennung :</b> <b>Baffle Arm</b> <b>Q.C. TG 3" CTRS</b>
				<b>Gez.</b>		
				<b>Gep.</b>		
				<b>Hartmann &amp; Bender</b> <b>Vertriebs - und</b> <b>Produktions - GmbH</b> <b>Hauptstraße 70 72</b> <b>Walluf am Rhein</b>		<b>Zeichnungs- Nr.:</b>  <b>0791-9135-11</b>  <b>Baffle Lock Ring Device</b> <b>62 mm Flange</b>
		Zust.	Änderung	Datum	Name	